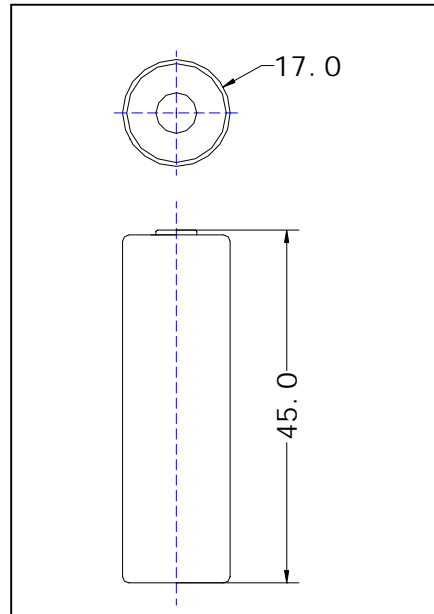


Manganese Dioxide Lithium Battery(Li/MnO₂)

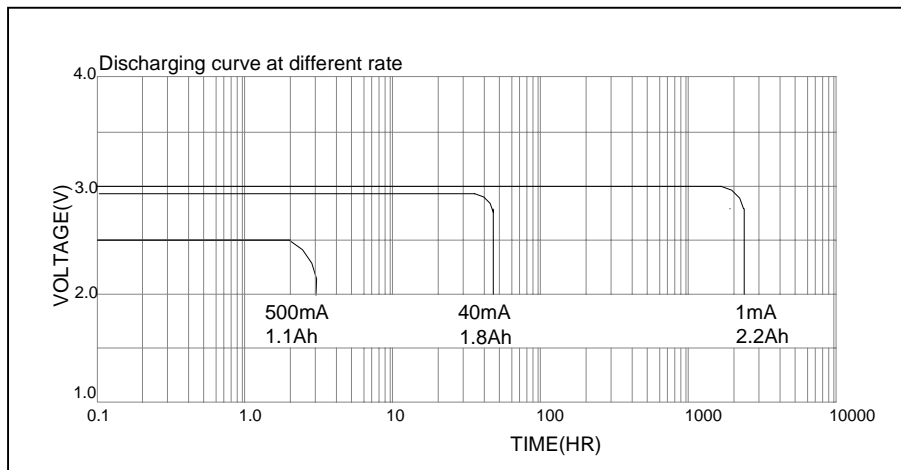
MODEL: CR17450

Nominal capacity (10mA to 2.0V)	2200 mAh
Nominal voltage	3.0 V
Max. Continuous operating current	1000 mA
Max. pulse current	1500 mA
Battery weight	25 g
Battery Dimension mm	φ 17.0 ^{±0.2} × 45.0 ^{-0.2}
operating temperature	-40°C~+60°C



Notes: All dimensions are in mm.
Tolerance is ±0.3mm.

Characteristics



Warning:

- .Do not short-circuit;
- .Do not recharge, force over-discharge, assemble / disassemble and crush; risk of fire and burns;
- .Do not use under temperature above specified range